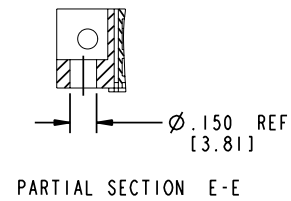
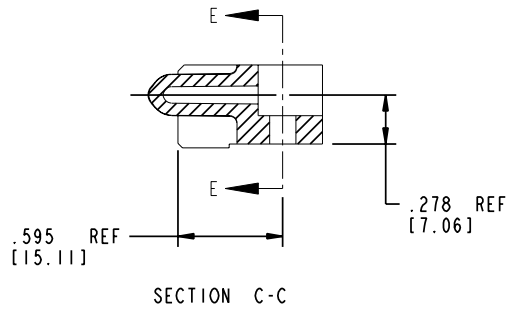
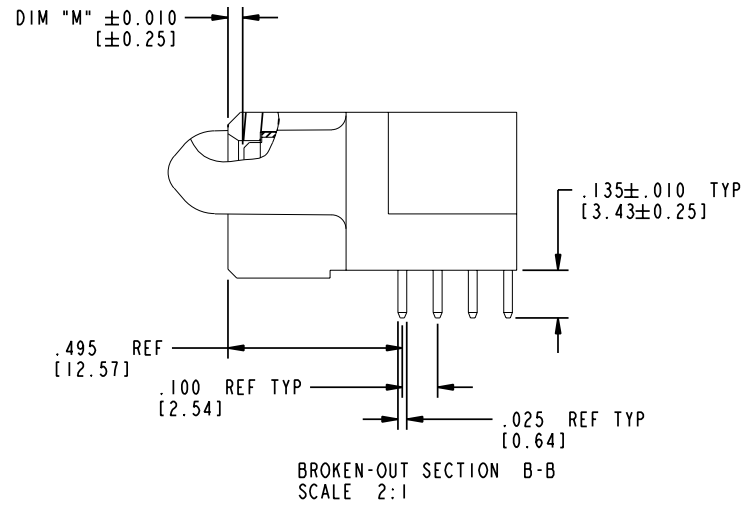
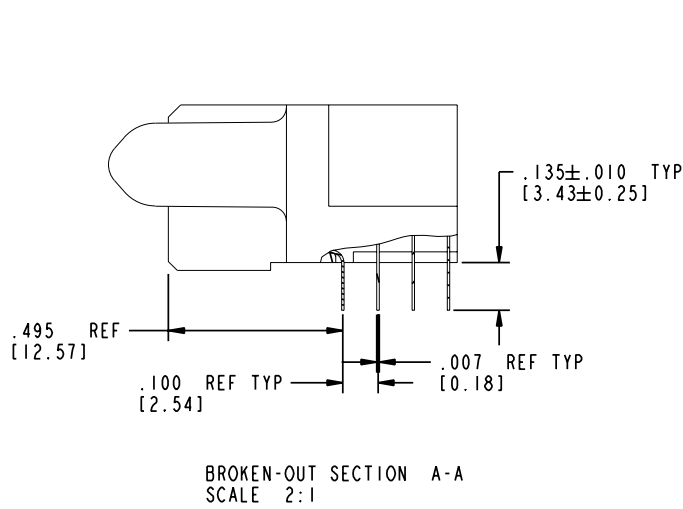




Tous droits strictement réservés. Reproduction ou communication à des tiers interdite sous quelque forme que ce soit sans autorisation écrite du propriétaire. Propriété de c FCI. Droits de reproduction FCI.

All rights strictly reserved. Reproduction or issue to third parties in any form whatever is not permitted without written authority from the proprietor. Property of FCI. Copyright FCI.

PRODUCT NUMBER  
**51770-009**  
 Note: ③



mat'l code		SEE NOTE 2		tolerances unless otherwise specified		CUSTOMER		 www.fciconnect.com	
lfr	ecn no.	dr	date	linear	.XX ± .01 / 0.X ± 0.3	COPY		title	
B				projection	.XXX ± .005 / 0.XX ± 0.13			<b>3P +128S + 3P</b> <b>R/A SOLDER RECEPTACLE</b>	
				angles	.XXX ± .0020 / 0.XX ± 0.051			product family	
				dr	0 ± 2°			PwrBlade	
				enfr	D. INGRAM 02/21/03	scale		code	
				chr	M. MOSTOLLER 02/21/03	1:1		213	
				appd	M. MOSTOLLER 02/21/03			sheet	
sheet index	revision sheet							2 of 4	

cage code **22526**

Pro/E

PDM: Rev:B

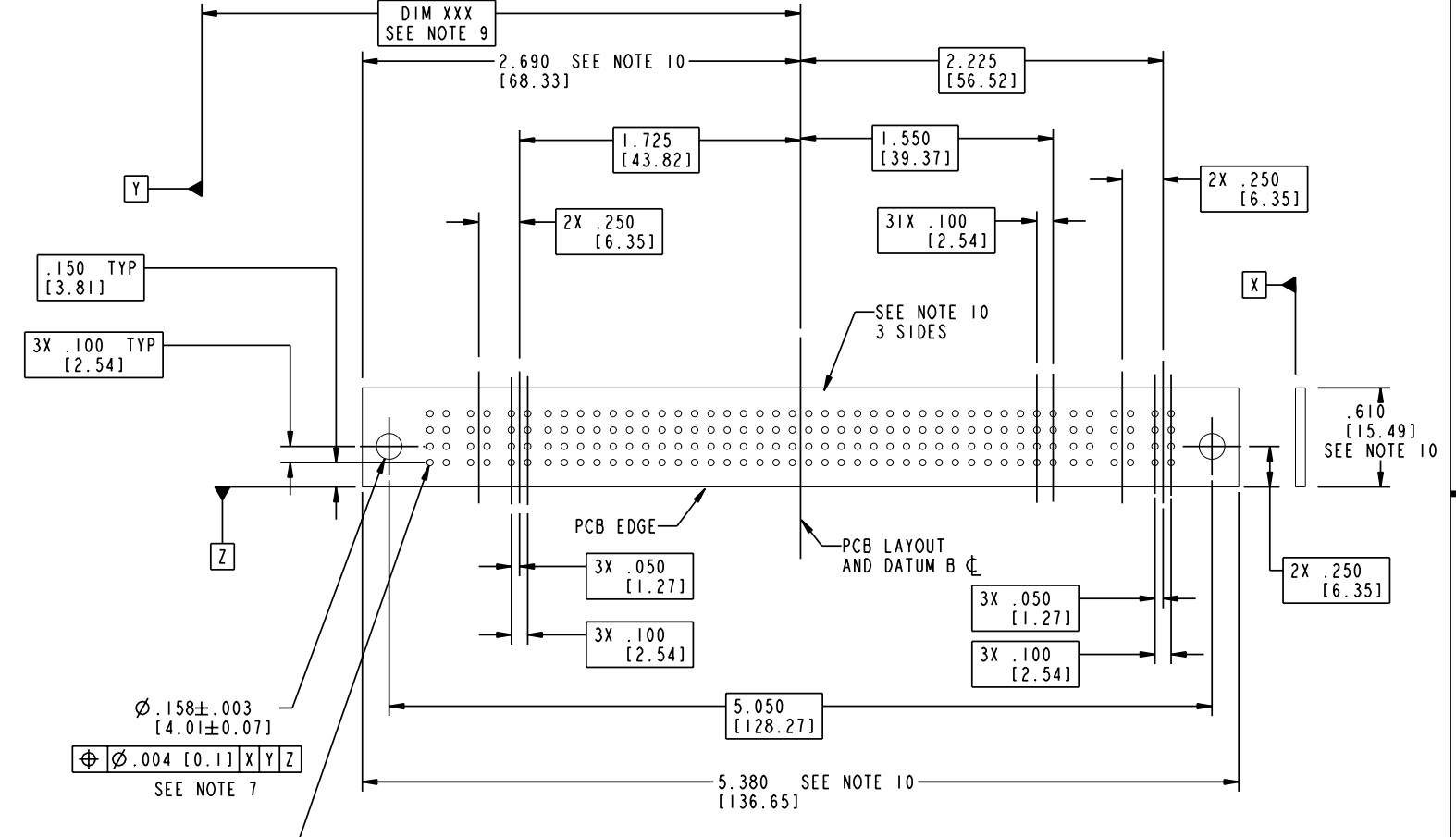
STATUS: Released

Printed: Aug 14, 2007

Tous droits strictement réservés. Reproduction ou communication à des tiers interdite sous quelque forme que ce soit sans autorisation écrite du propriétaire. Propriété de c FCI. Droits de reproduction FCI.

All rights strictly reserved. Reproduction or issue to third parties in any form whatever is not permitted without written authority from the proprietor. Property of FCI. Copyright FCI.

PRODUCT NUMBER  
**51770-009\_**  
 Note: ③



$\varnothing .158 \pm .003$   
 [4.01 ± 0.07]  
 $\varnothing .004$  [0.1] X|Y|Z  
 SEE NOTE 7

$\varnothing .040 \pm .003$   
 [1.02 ± 0.07]  
 $\varnothing .004$  [0.1] X|Y|Z  
 SEE NOTE 8

mat'l code		SEE NOTE 2	tolerances unless otherwise specified		CUSTOMER	 www.fciconnect.com	
ltr	ecn no.	dr	date	linear	COPY	projection	title
B				$.XX \pm .01 / 0.X \pm 0.3$			<b>3P +128S + 3P</b> <b>R/A SOLDER RECEPTACLE</b>
				$.XXX \pm .005 / 0.XX \pm 0.13$			product family <b>PwrBlade</b> code <b>213</b>
				$.XXX \pm .0020 / 0.XX \pm 0.051$			size <b>51770-009</b> sheet <b>3 of 4</b>
				angles $0 \pm 2^\circ$		scale <b>1:1</b>	
				dr <b>D. INGRAM</b> 02/21/03			
				engr <b>M. MOSTOLLER</b> 02/21/03			
				chr <b>M. MOSTOLLER</b> 02/21/03			
				appd <b>M. MOSTOLLER</b> 02/21/03			
sheet index	revision sheet						

Pro/E

cage code **22526**

PDM: Rev:B

STATUS: Released

Printed: Aug 14, 2007

Tous droits strictement réservés. Reproduction ou communication à des tiers interdite sous quelque forme que ce soit sans autorisation écrite du propriétaire. Propriété de c FCI. Droits de reproduction FCI.

**A**  
**FCI**

All rights strictly reserved. Reproduction or issue to third parties in any form whatever is not permitted without written authority from the proprietor. Property of FCI. Copyright FCI.

**B**

PRODUCT NUMBER  
**51770-009\_**  
Note: ③

NOTES:

1. DIMENSIONS AND TOLERANCES ARE IN ACCORDANCE WITH ASME Y14.5M, 1994 UNLESS OTHERWISE SPECIFIED.

CONNECTOR NOTES:

②. HOUSING MATERIAL: UL 94 V-0 GLASS FILLED  
HIGH-TEMP THERMOPLASTIC  
POWER CONTACT MATERIAL: COPPER ALLOY  
SIGNAL PIN MATERIAL: COPPER ALLOY

3. PLATING:

51770-009 Singal Pin: 30u"/0.76um Au OVER 50u"/1.27um Ni ON THE CONTACT AREA,  
AND 100u"/2.54um SnPb PLATING OVER 50u"/1.27um Ni ON THE TERMINATION SECTION.  
Power Pin: 30u"/0.76um Au OVER 50u"/1.27um Ni ON THE CONTACT AREA,  
AND 100u"/2.54um SnPb PLATING OVER 50u"/1.27um Ni ON THE TERMINATION SECTION.

51770-009LF Singal Pin: 30u"/0.76um Au OVER 50u"/1.27um Ni ON THE CONTACT AREA,  
AND 78u"/2.00um Sn PLATING OVER 50u"/1.27um Ni ON THE TERMINATION SECTION.  
Power Pin: 30u"/0.76um Au OVER 50u"/1.27um Ni ON THE CONTACT AREA,  
AND 78u"/2.00um Sn PLATING OVER 50u"/1.27um Ni ON THE TERMINATION SECTION.

PART NUMBER 51770-009LF MEETS EUROPEAN UNION DIRECTIVE AND OTHER COUNTRY REGULATIONS AS DESCRIBED IN GS-22-008.

THE HOUSING WILL WITHSTAND EXPOSURE TO 260° PEAK TEMPERATURE FOR 10 SECONDS IN A WAVE SOLDER APPLICATION WITH A CIRCUIT BOARD.

④. MANUFACTURER'S NAME, P/N, AND DATE CODE TO APPEAR ON THIS SURFACE.

5. PRODUCT SPECIFICATION GS-12-149.  
APPLICATION SPECIFICATION BUS-20-067.

PCB NOTES:

6. ALL HOLE DIAMETERS ARE FINISHED HOLE SIZE.

⑦. MOUNTING HOLES, WHERE APPLICABLE, ARE UNPLATED.

⑧.  $\varnothing .0453 \pm .0010$  [1.151 ± 0.025] DRILLED HOLES PLATED WITH  
.0003 [0.008] MIN SnPb OVER .001 [0.03]  
TO .003 [0.08] Cu PLATING TO ACHIEVE  
 $\varnothing .040 \pm .003$  [1.02 ± .07] HOLE.

⑨. "DIM XXX" TO BE DETERMINED BY THE CUSTOMER.

⑩. CONNECTOR KEEP-OUT ZONE.

mat'l code				SEE NOTE 2		tolerances unless otherwise specified		CUSTOMER		<b>A</b> <b>FCI</b> www.fciconnect.com	
ltr	ecn no.	dr	date	linear	.XX±.01/0.X±0.3	COPY		projection		title	
B					.XXX±.005/0.XX±0.13					3P +128S + 3P R/A SOLDER RECEPTACLE	
				angles	XXX±.002/0.XX±0.051					product family	
				dr	0±.2°			INCH/MM		PwrBlade	
				enr	D. INGRAM 02/21/03			scale		code	
				chr	M. MOSTOLLER 02/21/03			1:1		213	
				appd	M. MOSTOLLER 02/21/03			A		sheet	
sheet index		revision sheet								4 of 4	

cage code **22526**

Pro/E

PDM: Rev:B

STATUS: Released

Printed: Aug 14, 2007